

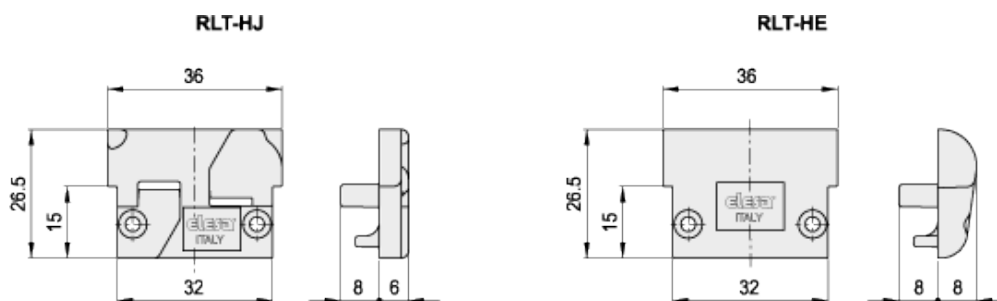
# RLT-H

Headers for ELEROLL roller tracks



FM Design

ele:roll\*



## technical informations

### Material

Polyamide based (PA) technopolymer, black colour.

### Standard executions

- RLT-HJ: joining header.
- RLT-HE: end (or ending?) header.

### Features and applications

RLT-HJ header serves to bind tightly two ELEROLL rollers by engaging them (Fig. 1).

RLT-HE header is the end-element of ELEROLL roller tracks (Fig. 2).

In addition to being an aesthetic element, the headers represent a safety element as they prevent the ends of the aluminum profile from injuring the operator or damaging the handled material.

### Assembly

Assemble the headers to the end of RLT-AL aluminum profile by means of two UNI 6954 Ø 2,9 x13 self-tapping screws (included in the supply).

\* Trademark application

Fig.1

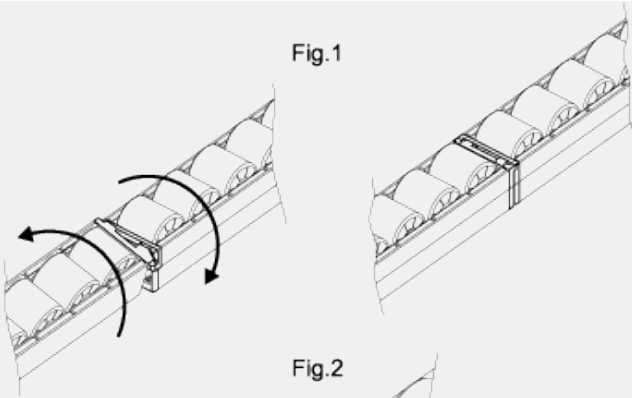
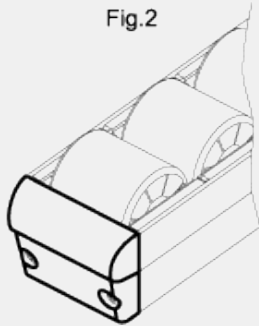


Fig.2



Standard Elements		Weight
Code	Description	g
429823	RLT-HJ	4
429813	RLT-HE	6



ELESA and GANTER models all rights reserved in accordance with the law. Always mention the source when reproducing our drawings.

**STANDARD MACHINE ELEMENTS WORLDWIDE**